

FEATURES

- > Maximum operating pressure to 120 psig
- > Pressure restart to 100 psig
- > Epoxy coated wetted parts
- > Oil-less operation
- > Dynamically balanced
- > Permanently lubricated bearings
- > Stainless steel valves
- > External ground wire
- > ASME safety valve
- > P2 rated capacitor
- > Patented components
- > Reliable WOB-L[®] piston technology
- > Specially formulated piston seal
- > Agency approved
- > RoHS compliant
- > Easily serviced

TYPICAL APPLICATIONS

- > Air Vending
- > Pond Aeration
- > Telephone Cable Drying
- > Wave Guide Pressurization
- > Mobile Dental Stations

BASE MODEL

2665PE40 / 2685PE40
2665PHI44 / 2685PHI44



2665



2685



WOB-L[®]

2665 / 2685 Series

Flow	3.8 cfm (107.6 l/min)
Max. pressure	120 psig (8.3 bar)
Max. vacuum	N/A Pressure Only



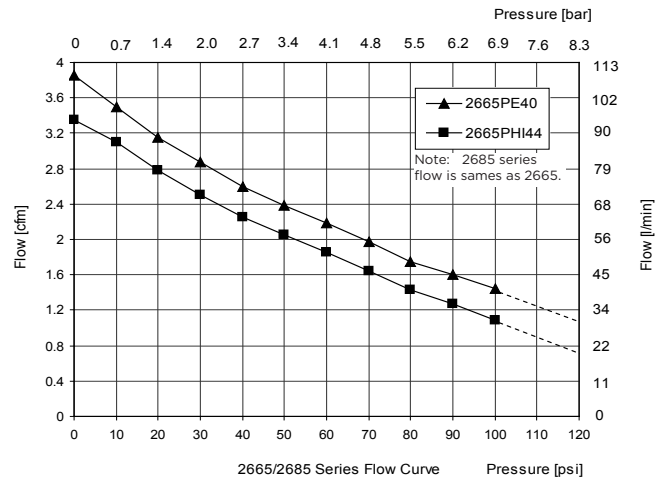
2665



2685



Unit supplied with intake filter assembly and safety valve



PERFORMANCE DATA

	T14-0188	T14-0188
Model Number	2665PE40 / 2685PE40	2665PHI44 / 2685PHI44
Head Configuration	Parallel pressure flow	Parallel pressure flow
Stroke	0.40 in. (10.2 mm)	0.44 in. (11.2 mm)
Nominal voltage input	115V 60Hz	220-240V 50Hz
Max. open air flow	3.8 cfm (107.6 l/min)	3.4 cfm (96.3 l/min)
Max. rated operating pressure	100 psig (6.9 bar)	100 psig (6.9 bar)
Current at rated pressure	5.7A	2.3A
Power at rated pressure	625W	500W
Max. pressure restart	100 psig (6.9 bar)	100 psig (6.9 bar)
Max. intermittent operating pressure	120 psig (8.3 bar)	120 psig (8.3 bar)
Max. vacuum	Not applicable	Not applicable
Max. vacuum restart	Not applicable	Not applicable

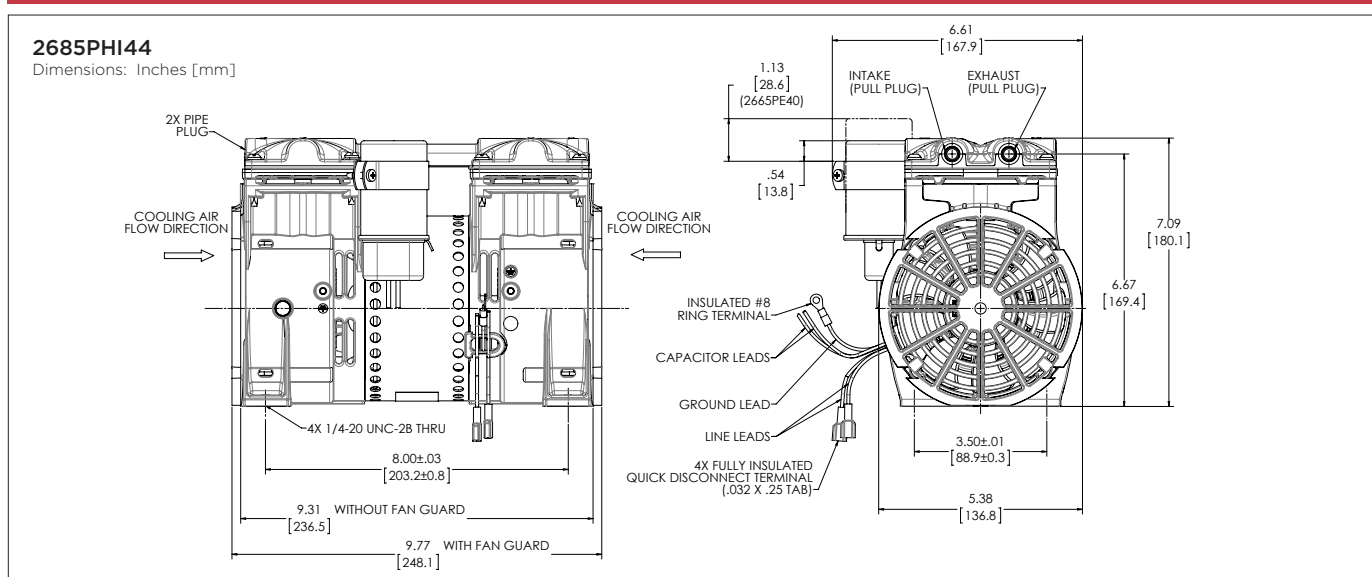
ELECTRICAL DATA

Motor type [Capacitor value]	P. S. C. [35 µF]	P. S. C. [12.5 µF]
Motor insulation class	B	B
Thermal protection [Open temperature]	Yes [145°C ±5°C]	Yes [120°C ±5°C]
Line lead wire color, gauge	Brown (hot), blue (neutral), 18 AWG	Brown (hot), blue (neutral), 18 AWG
Capacitor lead wire color, gauge	Black, black, 18 AWG	Black, black, 18 AWG

GENERAL DATA

Operating ambient temperature	10 to 40 °C	10 to 40 °C
Safety Certification	CUR	EU Declaration of Incorporation upon request
Net weight	16.0 lbs (7.3 kg) / 16.4 lbs (7.4 kg)	16.0 lbs (7.3 kg) / 16.4 lbs (7.4 kg)
Field service repair kit part number	SK268540	SK268540

PRODUCT DIMENSIONS



PUMP AND COMPRESSOR SOLUTIONS FOR OEMS WORLDWIDE

gd-thomas.com



Gardner Denver Thomas GmbH

Livry-Gargan-Str. 10
82256 Fürstentfeldbruck
Germany

T +49 8141 2280 0
F +49 8141 8892136

thomas.de@gardnerdenver.com

Gardner Denver Thomas Pneumatic Systems (Wuxi) Co. Ltd.

1 New Dong'an Road, Shuofang Town
Xinwu District, Wuxi
Jiangsu, 214142 P.R. China

T +86 510 6878 2217
F +86 510 6878 2200

thomas.cn@gardnerdenver.com

THOMAS

by Gardner Denver

Gardner Denver Thomas, Inc.

1419 Illinois Avenue
Sheboygan, WI 53081
USA

T +1 920 4574891
F +1 920 4514276

td.usa@gardnerdenver.com

The information presented in this material is based on technical data and test results of nominal units. It is believed to be accurate and reliable and is offered as an aid to help in the selection of Thomas products. It is the responsibility of the user to determine the suitability of the product for the intended use and the user assumes all risk and liability in connection there with. Thomas does not warrant, guarantee or assume any obligation or liability in connection with this information.

Models presented in this catalog are representative of the product family. Photos of products pictured in this catalog do not necessarily represent a specific model number. To obtain further information for custom options, contact your local Thomas office.

Printed in U.S.A Form No. 850-3337 05/2018 ©Gardner Denver Thomas, Inc. All rights reserved.